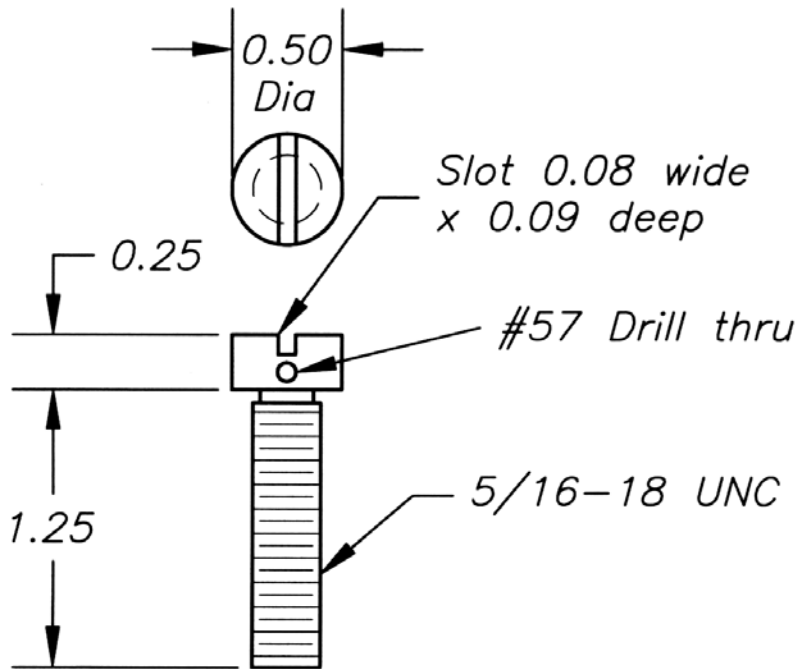


MACHINED PARTS

AIR GUIDE SCREWS



Air Guide Screw:	
Ref. A	Part No.
0.75"	A-GS001
1.25"	A-GS002